

borg &  
overström



---

Distinctive  
by design.

t2

borg&  
overström

## Refined hydration, digital precision

The T2 is a next-generation digital tap system. It's bold yet practical with a premium finish. Combined with the ultra-compact ProCore™ water processing unit, the T2 integrates seamlessly into any work area or communal space.



Distinctive  
by design.

---

## Refined hydration

The T2 has sleek lines, a contemporary profile, and is finished to the highest standard. With a built-in drip tray and 310mm dispense area for refilling bottles and jugs, it's also a highly practical solution for modern workplaces.

---

## Advanced UV protection built-in

As an option, the T2 can be fitted with Viovandit™, a mercury-free, chemical-free and energy-efficient LED-UV water purification system. For complete peace of mind, it also includes additional hygiene features via Borg & Overström's Totality® methodology.

---

## Easy-to-fit ventilation kit

A ventilation kit is included with this system. It's easy to install and increases the efficiency of the ProCore™ by allowing a continuous cycle of cool air.

---

## Digital precision

The discreet digital touch panel has an antimicrobial coating for a reassuringly clean experience. Chilled, sparkling, or ambient water can also be dispensed touch-free via the Bluetooth® app.

---

## Ultra-compact, durable ProCore™

The under-counter ProCore™ system is compact, easy to install out of sight. It's also low maintenance and fitted with the new eco R290 gas. The colour-coated GreenCoat® steel construction makes it sustainable and durable.

---

## Energy-efficient

The T2 is consistently energy efficient, making it both economical and eco-friendly. It's also fitted with a low light sensor which sends the appliance into standby mode when the room is unoccupied.



---

Distinctive  
by design.

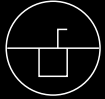
# borg& overström

## Water system



Dry Chill®

## Configurations



Integrated Tap

## Water options



Chilled



Ambient



Sparkling

## Tap finishes



Steel



Black

[borgandoverstrom.com](http://borgandoverstrom.com)



Distinctive  
by design.

# t2

## Totality® - Hygiene-assured refreshment



Totality® is our assurance that water dispensed from a Borg & Overström water dispenser is as safe as it is refreshing. Water dispensers with a six-star Totality® rating deliver an exceptionally high standard of hygiene.



**Digital precision**  
The discreet digital touch panel has an antimicrobial coating for a reassuringly clean experience. Chilled, sparkling, or ambient water can also be dispensed touch-free via the Bluetooth® app.



**Advanced UV-led protection.**  
As an option, the T2 can be fitted with Viovand™, a mercury-free, chemical-free and energy-efficient LED-UV water purification system. For complete peace of mind, it also includes additional hygiene features via Borg & Overström's Totality® methodology.



**Sealed drinking water system.**  
Dry Chill® is the most hygienic cooling process. No water is stored within the system, which greatly reduces the opportunity for bacteria to become established. Dry Chill® also produces a larger volume of lower temperature water due to its faster recovery time.



**Independently certified anti-microbial, antipathogen sanitising procedure.**  
All dispensers are sterilised using Sterizen® sanitising infusion. No other brand of watercooler goes through this process, which is why only Borg & Overström appliances are laboratory certified to be 99.999% bacteria reduced.



**High-performing, easy to fit carbon filters.**  
3M carbon filters provide the highest level of water hygiene security for your dispenser over a longer period of time. All Borg & Overström water dispensers can be fitted with 3M carbon filters.

Distinctive  
by design.

## T2 Specifications

**Power requirements**  
Hertz 50/Volts 240

**Water system**  
Dry Chill®

**Chilled temperature**  
Min 3°C/Max 11°C

**Tap height**  
395mm

**Dispense height**  
310mm

**ProCore dimensions**  
W320xD375xH350mm

## T2 ProCore

**Throughput flow rate**  
50 litres per hour (LPH)  
2.7 litres per minute (ML/S)  
60 500ml bottles per hour (BPH)

## T2 ProCore+

**Throughput flow rate**  
80 litres per hour (LPH)  
3.3 litres per minute (ML/S)  
90 500ml bottles per hour (BPH)

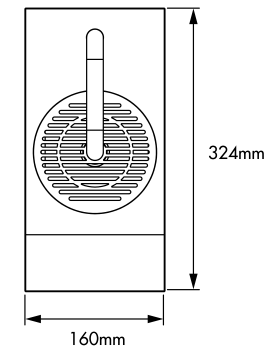
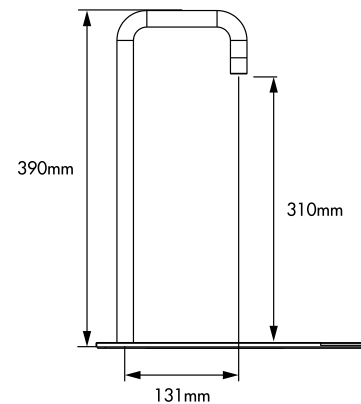
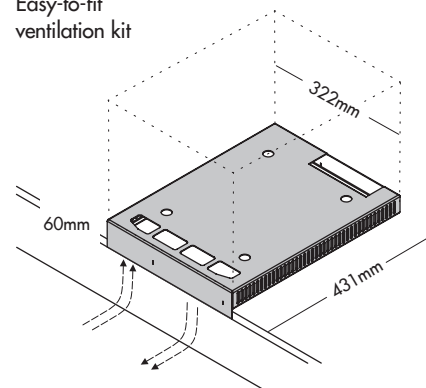
## Dispense options

	Black	Steel	Black LED-UV	Steel LED-UV
Chilled & Ambient	742000	742010	742020	742030
Chilled & Sparkling	742080	742090	742100	742110
Chilled, Ambient & Sparkling	742160	742170	742180	742190

## Dispense options

	Black	Steel	Black LED-UV	Steel LED-UV
Chilled & Ambient	742240	742250	742260	742270
Chilled & Sparkling	742320	742330	742340	742350
Chilled, Ambient & Sparkling	742400	742410	742420	742430

Easy-to-fit  
ventilation kit



Distinctive  
by design.

## Additions for T2



**Biodegradable paper cups**  
Environmentally-friendly disposable cups designed to fit Borg & Overström cup dispensers perfectly.



**Personal drinking bottles**  
500ml capacity in black or grey gloss finish. Comes with quick-release leak-proof cap and carry strap.



**500/750ml glass bottles**  
Suitable for dishwashers and bottlewashers. Both sizes are a perfect fit for the T2 tap. Stylish swing-top lid.



**Deep Sparkle® CO<sup>2</sup> refills**  
Can be disposed via standard steel recycling or general waste. Requires CO<sup>2</sup> regulator with gauge.



**Sanitisation kit**  
Six monthly sanitising cycles ensure appliances function at the optimum hygiene levels.



**Waste kit overflow sensor**  
Featuring an audible high-water level alarm to prevent the waste tank from overflowing.



**Install kit with 3M filter**  
Install appliances simply and effectively in a wide range of applications. Complete with a 3M filter.

Distinctive  
by design.



Book a personal demonstration of the T2

Talk to an adviser

**+44 (0) 1362 695 006**

**[sales@borgandoverstrom.com](mailto:sales@borgandoverstrom.com)**